



sinto

New Harmony » New Solutions™

www.thaisinto.co.th

ANYWHERE BLAST Ti-MY-750

Compact Size Air Blast Machine - easy to use, easy to install, and easy to relocate.

FEATURES



VARIETY OF APPLICATION

Ti-my can be applied with wide range of abrasives in turn providing a variety of blasting application many different kind of product surface.

1



COMPACT SIZE

Saving installation space and Easy moving by addition casters.

2



INEXPENSIVE

Affordable to belonging Suitable for startup businesses & small industries.

3



DIGITAL PRESSURE GAUGE



NOZZLE

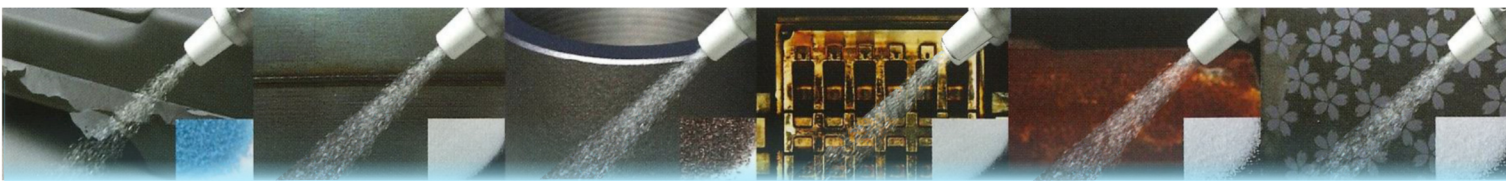


sinto
SURFACE
TECMART™
.....

sinto SURFACE TECMART

for the Better

APPLICATION



THAI SINTOKOGIO CO.,LTD.
SINTOKOGIO GROUP
Rojana Industrial Park 2
44 Moo 4,Banchang,U-Thai Ayutthaya 13210 THAILAND
TEL : +66 (0) 35-200-710-8 FAX : +66 (0) 35-200-719
www.thaisinto.co.th LINE Official: @Thai Sinto



ISO 9001:2015 ISO 14001:2015 CERTIFIED

Version 2024(10)

ANYWHERE BLAST
TI-MY-750
 DIMENSION



Product of Thailand



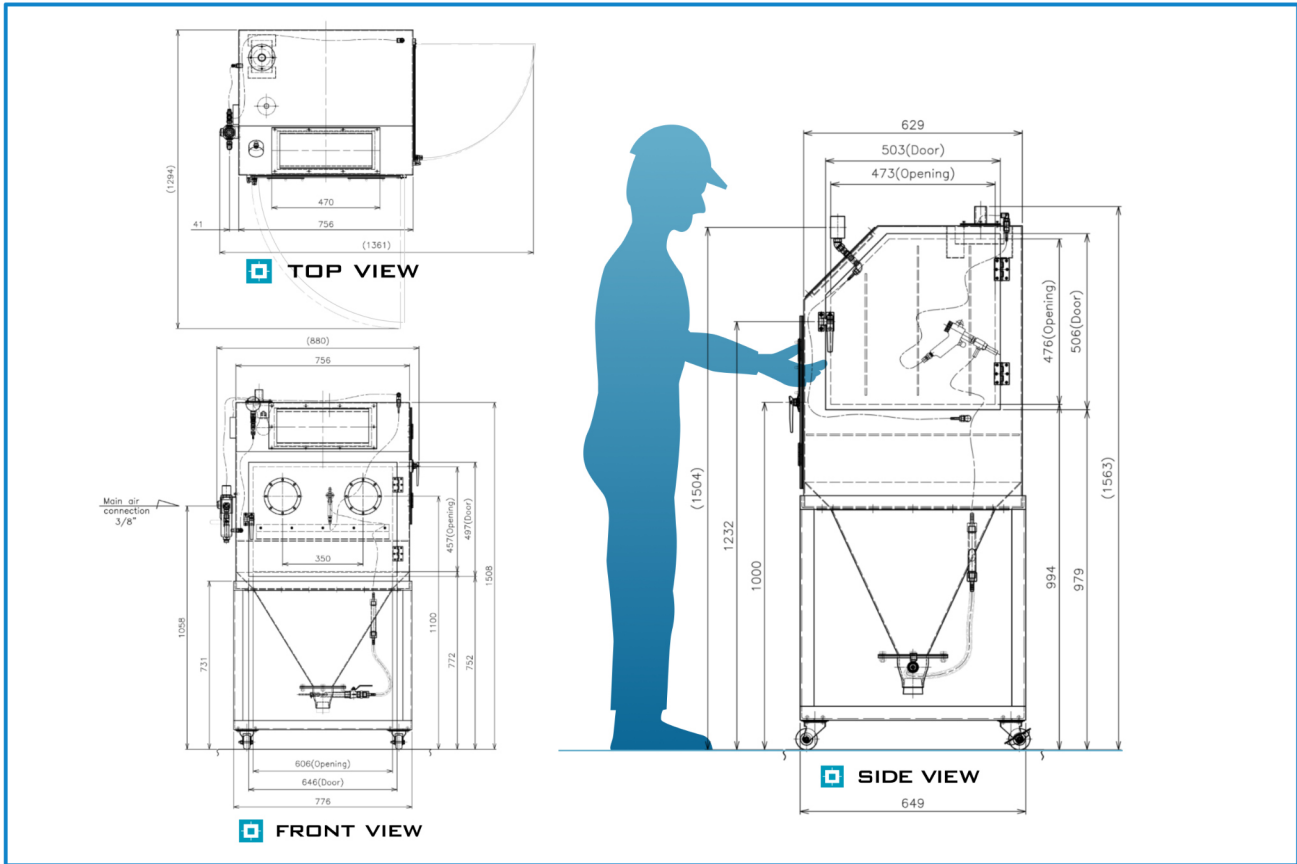
Applied With Wide Range Of Abrasives



Compact Size



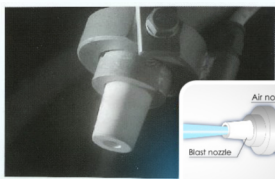
Inexpensive



SPECIFICATION ANYWHERE BLAST TI-MY-750 MACHINE

Description	Details
Blast device	Self-priming type Nozzle thread Dia 6.0 mm Steel (Spare: Ø6.Ø7 ceramic)
Cabinet	Welding structure With Glove / Lamp / Punching table Welding structure 2 Inspection door / Peep window
Injection hopper	gravity type
Product size	Diameter 300 mm (Max) 9 mm. (Min) / Heigh 300 mm (Max) / Weight 15 kgs (Max)
Abrasive used	GB-AH (Ø600~850 µm) ~GB-A(Ø45~90 µm), AF220 (Ø45~75 µm)~AF24 (Ø600~850 µm), S-110 (Ø0.3 mm), G-120 (Ø0.2 mm)
Injection pressure	0.4~0.6MPa Low pressure makes stable injection difficult.
Air piping	Air equipment set (Ball valve / Filter / Pressure reducing valve / Pressure gauge)
Purpose of processing	Impurity removal (Ex. Descaling / Paint removal / Surface roughening (Ex. Pre-treatment for painting)
Non-processable product	Titanium / Magnesium / Aluminum / Product with oil or moisture on them / Product with temperature too high can not handled by hand
General information	Power consumption: 0.09 kw (220V/1 phase) / Air consumption: 0.17 Nm ³ /min (at 0.6 MPa) 1 Nozzle Machine weight: 130 kg

AIR BLAST



The blasting media is propelled through a nozzle using the force of compressed air. This method is most suitable for treating small surfaces.

Superior blasting

Superior blasting

Superior blasting

Why Air Blast?

Unlike wheel blast, Air blasting application can apply to wider range of products and their materials. Abrasives are projected through air nozzle by pressurized air. Single piece of blasting or batch can be conducted. Even spot blasting with proper masking for peening can be done with use of air blast.

What are abrasives for Air Blast?

Wide range of abrasive can be used such as steel shot and steel grit, stainless shot, alumina ball, glass beads, etc.



THAI SINTOKOGIO CO.,LTD.
 SINTOKOGIO GROUP
 Rojana Industrial Park 2
 44 Moo 4,Banchang,U-Thai Ayutthaya 13210 THAILAND
 TEL : +66 (0) 35-200-710-8 FAX : +66 (0) 35-200-719
 www.thaisinto.co.th LINE Official: @Thai Sinto



ISO 9001:2015 ISO 14001:2015 CERTIFIED
 Version 2024(10)