

FEATURES

1. "Zero*" shot leak

With the new design, Ti-SNBX-II can bring about zero* percent shot leak. This in return leads to less abrasives consumption expenses as well as creates better and clean working environment

* Remark: Zero% in our definition means shot leaks of less than 1000g/year

2. Efficient mechanism

Ti-SNBX-II is equipped with impeller that has motor directly attached to it as driven unit and because of this mechanism energy losses are

3. Easy to install and relocate

Dust collecting unit is attached to shotblasting main unit; therefore, due to its compact size, installation and/or machine relocation can be easily performed.



Ti-SNBX-II APRON BLAST

APPLICATIONS

Blasting Cabinet



Samples of work piece

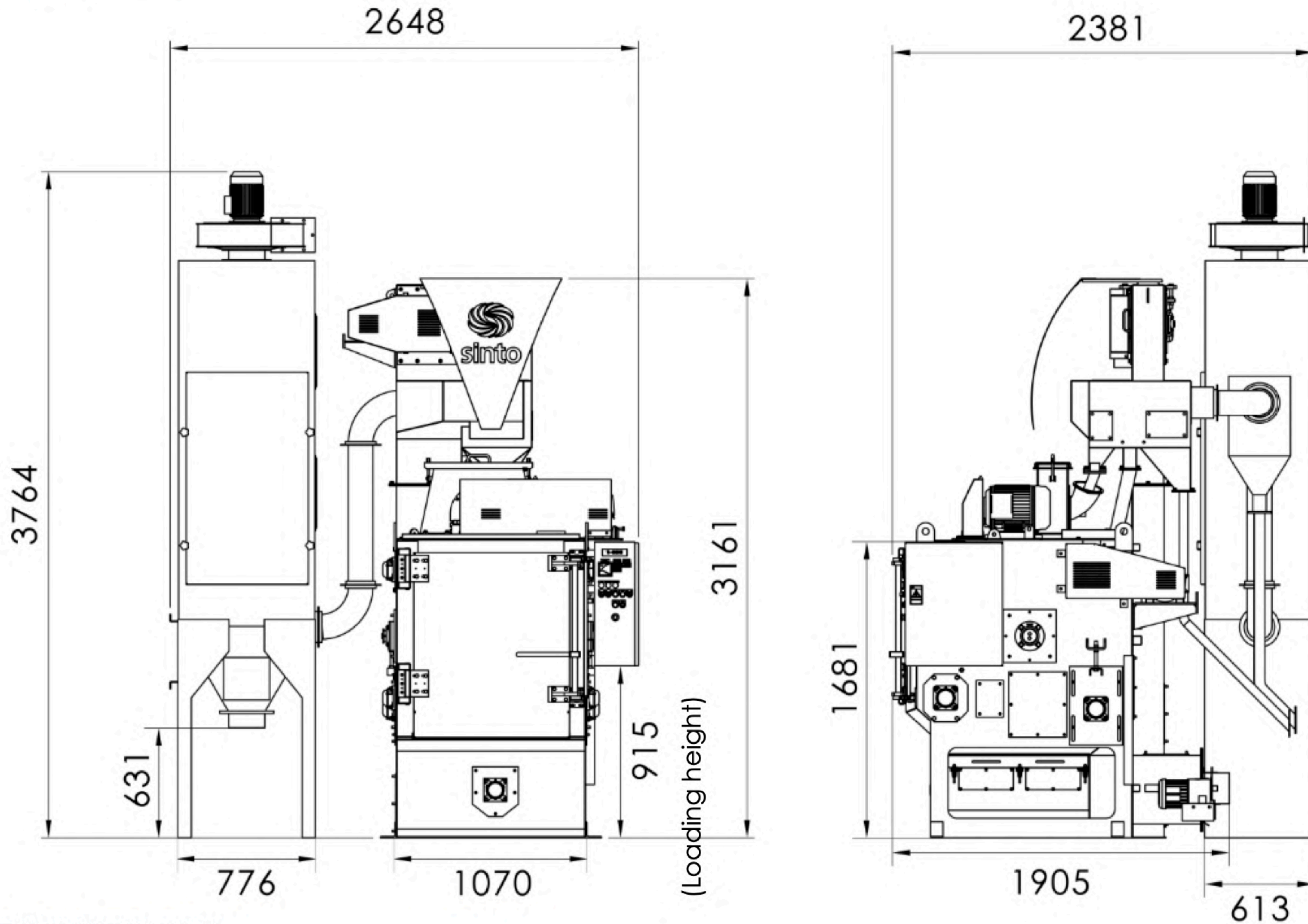


3 魅一体

3-IN-1 SOLUTION (IN ASSOCIATION WITH SIAMBRATOR)

We are determined to meet our customers' most satisfaction. That is the reason behind our 3-in-1 business solution by offering cutting edge technology and equipment, medias and abrasives, and after-service maintenance.





SPECIFICATION

		Ti-SNBX-II-N (Normal)	Ti-SNBX-II-S (Special)
Condition	Application	Sand-removal	De-scale, Roughening
	Applied abrasives	(S-170 – S-550) Size 0.5-1.7mm	(S-170) Size 0.5 or smaller
Capacity	Blasting capacity (m ³ /batch)	0.15 (or 150L/batch)	
	Loading weight (Kg/batch)	300 (Max)	
	Weight per workpiece (Kg/piece)	15 (Max)	
	Length of workpiece (mm/piece)	300 (Max)	
	Blasting cabinet	Dia750 x 800mm(L)	
	Impeller	Y-30 (7.5kW x 4P)	
	Rotary Screen	Dia280 x 587(L)mm (0.4kW x 4P)	
	Control panel	Type	Re-lay with timer (Omron)
Information	Dust collector (air volume)	20m ³ /min	
	Type	Normal	Anti-explosion with CaCo ₃ feeder
	Dust discharge function	Manual – Slide Gate	Automatic (Rotary Valve)
	Filter	Normal	Anti-static

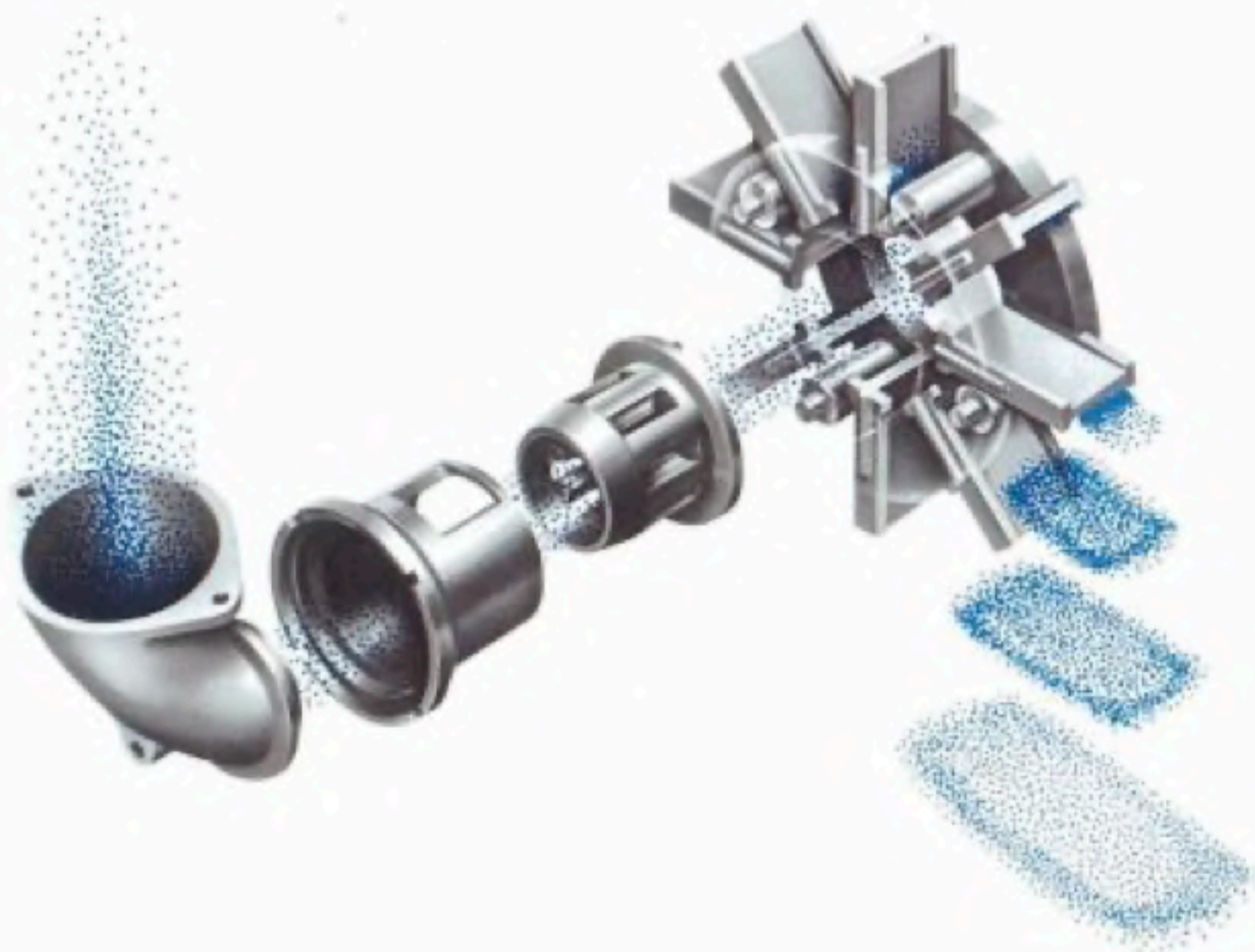
* To improve quality of our product, changes of specification may apply without prior notice

Y30 IMPELLER

Superior blasting

30% Longer part life

Ease of maintenance



What is impeller?

Impeller is heart and soul of shot blasting machine. The impeller itself produces concentrically high-speed of 3000 revolutions per minutes to blast abrasives. Y30 a new version of Sinto impeller is designed for superior blasting in association with better structure of part combination attributable to longer useful life and ease of maintenance service.

What are the features?

- Reverse revolution: direction is selectable either forward or backward revolution
- Constant and stable projection
- Less deviation between direct and indirect projection areas



THAI SINTOKOGIO CO.,LTD.
 SINTOKOGIO GROUP
 Rojana Industrial Park 2
 44 Moo 4, Banchang, U-Thai Ayutthaya 13210 THAILAND
 TEL: +66 (0) 35-200-710-8 FAX: +66 (0) 35-200-719
www.thaisinto.co.th Line Official : Thai Sinto



ISO 9001:2015 ISO 14001:2015 CERTIFIED

Version 2022(01)