

ANYWHERE DUST

Ti-AD-15

Compact Size Dust Collector-easy to use, easy to install, and easy to relocate.

FEATURES

1. High performance and compact.
2. Optimum operating conditions can be checked with a digital monitor.
3. A wide range of variants supporting all applications.



sinto WELLNESS CREATION
for the Better



3 solutions to realize the ideal working space



Realizing a site where everyone can work with peace of mind.

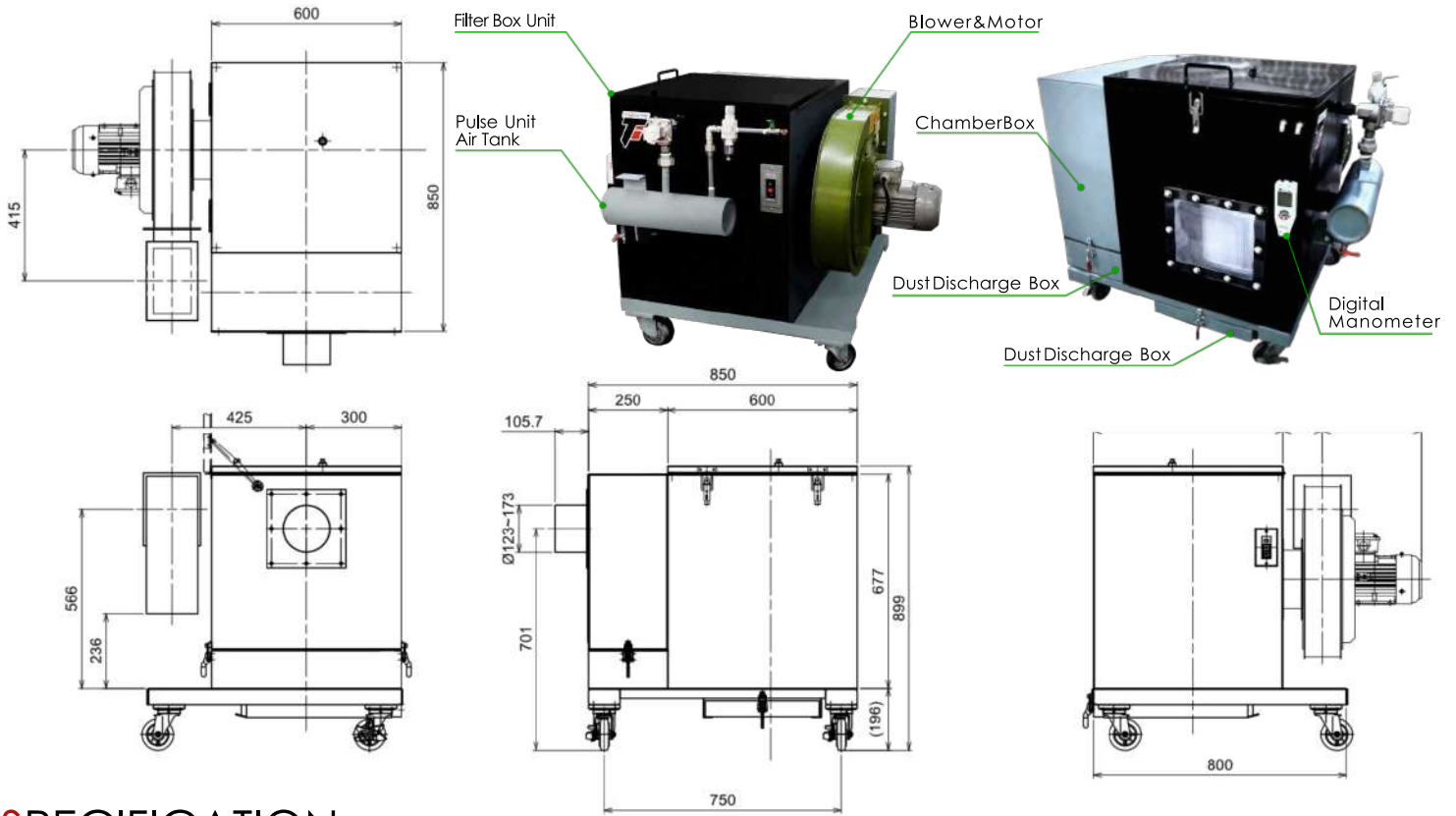


Clean air and water for the future.



The place you spend every day should be more "comfortable".





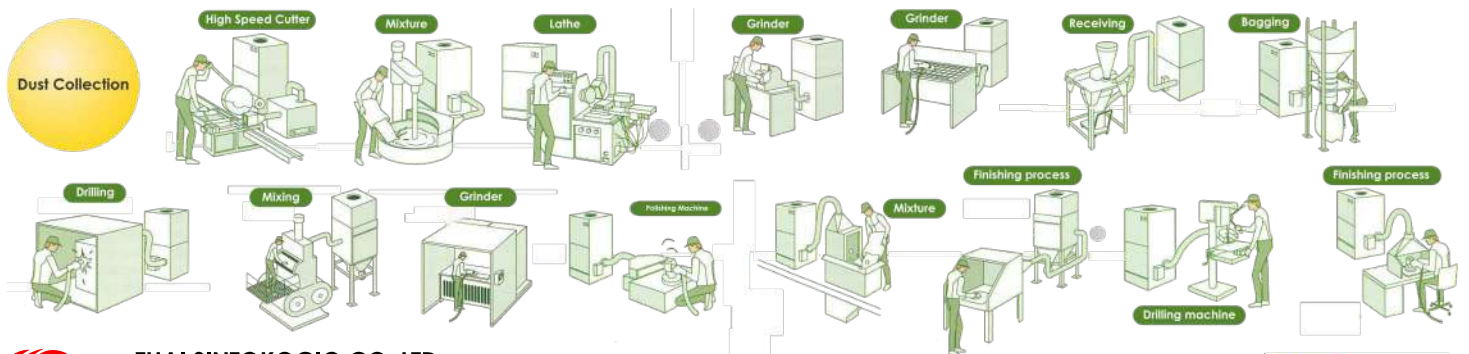
SPECIFICATION

DUST COLLECTOR SPECIFICATION

Model	Ti-AD-15		
Filter	Polyester		
Filter Size	Ø305 x 400 mm		
Filter Q'ty	1 pcs		
Filter Area	8 m ²		
Air volum (m ³ /min)	10	15	20
Static pressure (kPa)	2.25	2.10	1.85
Blower Motor	1.1 kW×2P		
Voltage	220 or 380V/50Hz		
Motor Type	Totally enclosed fan-cooled outdoor model		
Dust Discharge	Box (8 Liter)		
Painting color	Thai Sinto standard		
Approximate weight	180kg		
Remarks	<ul style="list-style-type: none"> • Not include pulse equipment * Can be installed as an option • Not including the main breaker 		

Sinto Dust Collection System

We propose the optimum dust collection system that can handle all types of dust and applications.



THAI SINTOKOGIO CO.,LTD.
 SINTOKOGIO GROUP
 Rojana Industrial Park 2
 44 Moo 4, Banchang, U-Thai Ayutthaya 13210 THAILAND
 TEL: +66 (0) 35-200-710-8 FAX: +66 (0) 35-200-719
www.thaisinto.co.th Line Official : Thai Sinto



ISO 9001:2015 ISO 14001:2015 CERTIFIED
 Version 2024(01)